

Clamping levers with eccentric cam

Contact plate Plastic / Lever Zinc die casting

SPECIFICATION

Types

- Type **A**: Plastic contact plate with setting nut
- Type **B**: Plastic contact plate without setting nut

Lever

Zinc die casting

plastic coated (abrasion proof epoxy resin)

black, RAL 9005 **B**

orange, RAL 2004 **O**

red, RAL 3000 **R**

silver, RAL 9006 **S**

Contact plates

Plastic, glass fibre reinforced

- Type **A**: Polyacetal (POM)

- Type **B**: Polyamide (PA)

Version with threaded insert

Axis, lag nut, setting nut

Steel zinc plated, blue passivated

Version with threaded stud

Axis, lag screw, setting screw

Steel zinc plated, blue passivated



reddot design award

INFORMATION

Clamping levers with eccentric cam GN 927 are used for rapid clamping and releasing. Hereby, contrary to a clamping operation via a thread, these levers permit a **torque-free** clamping.

The lever has been designed to ensure that its movement cannot exceed the max. clamping force.

There are no loose components since they are all assembled and mounted in their correct order.

Type A has the following benefits:

The distance between the lever cam and the clamping surface is adjustable via a fine pitch thread, allowing the clamping position to be set easily with maximum clamping force. Also, the position of the lever relative to the clamping axis can be determined.

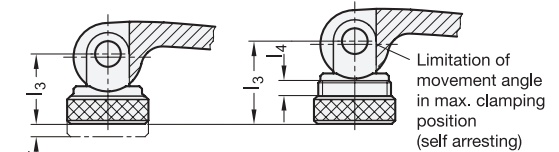
With these clamping levers with eccentric cam, clamping forces of up to 8 kN can be reached.

TECHNICAL INFORMATION

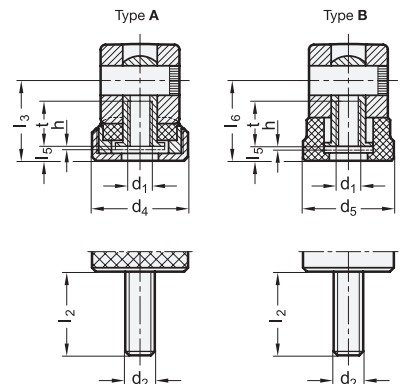
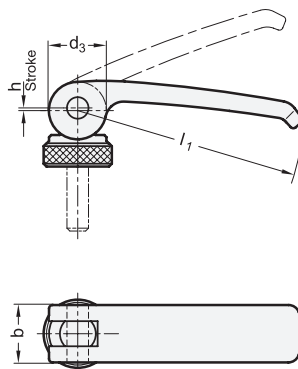
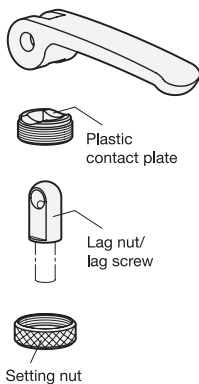
- Plastic characteristics (see page A2)

CONSTRUCTIONAL FEATURES (TYPE A) / APPLICATION EXAMPLE

l_3 adjustable by the setting screw for optimum clamping force at the preferred lever position.



l_3 max. must not be exceeded. Otherwise there is the risk that the positioning thread can no longer absorb the clamping force or may be damaged.



* Complete with colour index of the Clamping lever (B, O, R or S)

B
 O
 R
 S
 RAL9005 RAL2004 RAL3000 RAL9006

GN 927-with threaded insert

Description	l1	d1	b	d3	d4	d5	h	l3 min.	l3 max.	l4	l5	l6	t	⚖
GN 927-63-M5-A-*	63	M 5	16	16	19	-	0.75	16.3	18.8	2.5	3	-	10	56
GN 927-63-M6-A-*	63	M 6	16	16	19	-	0.75	16.3	18.8	2.5	3	-	10	56
GN 927-82-M6-A-*	82	M 6	20	20	25	-	1	19.5	22.5	3	3.7	-	12	110
GN 927-82-M8-A-*	82	M 8	20	20	25	-	1	19.5	22.5	3	3.7	-	12	110
GN 927-101-M8-A-*	101	M 8	25	26	30	-	1.5	25.3	29.3	4	4.8	-	15	218
GN 927-101-M10-A-*	101	M 10	25	26	30	-	1.5	25.3	29.3	4	4.8	-	15	210
GN 927-63-M5-B-*	63	M 5	16	16	-	18.5	0.75	-	-	-	3	16.3	10	52
GN 927-63-M6-B-*	63	M 6	16	16	-	18.5	0.75	-	-	-	3	16.3	10	51
GN 927-82-M6-B-*	82	M 6	20	20	-	22.5	1	-	-	-	3.7	19.5	12	110
GN 927-82-M8-B-*	82	M 8	20	20	-	22.5	1	-	-	-	3.7	19.5	12	96
GN 927-101-M8-B-*	101	M 8	25	26	-	27	1.5	-	-	-	4.8	25.3	15	175
GN 927-101-M10-B-*	101	M 10	25	26	-	27	1.5	-	-	-	4.8	25.3	15	156

GN 927-with threaded stud

Description	l1	d2	l2	b	d3	d4	d5	h	l3 min.	l3 max.	l4	l5	l6	⚖
GN 927-63-M5-16-A-*	63	M 5	16	16	16	19	-	0.75	16.3	18.8	2.5	3	-	60
GN 927-63-M5-20-A-*	63	M 5	20	16	16	19	-	0.75	16.3	18.8	2.5	3	-	61
GN 927-63-M5-25-A-*	63	M 5	25	16	16	19	-	0.75	16.3	18.8	2.5	3	-	62
GN 927-63-M5-30-A-*	63	M 5	30	16	16	19	-	0.75	16.3	18.8	2.5	3	-	63
GN 927-63-M5-35-A-*	63	M 5	35	16	16	19	-	0.75	16.3	18.8	2.5	3	-	63
GN 927-63-M5-40-A-*	63	M 5	40	16	16	19	-	0.75	16.3	18.8	2.5	3	-	63
GN 927-63-M5-50-A-*	63	M 5	50	16	16	19	-	0.75	16.3	18.8	2.5	3	-	65
GN 927-63-M6-16-A-*	63	M 6	16	16	16	19	-	0.75	16.3	18.8	2.5	3	-	60
GN 927-63-M6-20-A-*	63	M 6	20	16	16	19	-	0.75	16.3	18.8	2.5	3	-	61
GN 927-63-M6-25-A-*	63	M 6	25	16	16	19	-	0.75	16.3	18.8	2.5	3	-	63
GN 927-63-M6-30-A-*	63	M 6	30	16	16	19	-	0.75	16.3	18.8	2.5	3	-	64
GN 927-63-M6-35-A-*	63	M 6	35	16	16	19	-	0.75	16.3	18.8	2.5	3	-	65
GN 927-63-M6-40-A-*	63	M 6	40	16	16	19	-	0.75	16.3	18.8	2.5	3	-	66
GN 927-63-M6-50-A-*	63	M 6	50	16	16	19	-	0.75	16.3	18.8	2.5	3	-	68
GN 927-82-M6-20-A-*	82	M 6	20	20	20	25	-	1	19.5	22.5	3	3.7	-	120
GN 927-82-M6-25-A-*	82	M 6	25	20	20	25	-	1	19.5	22.5	3	3.7	-	120
GN 927-82-M6-30-A-*	82	M 6	30	20	20	25	-	1	19.5	22.5	3	3.7	-	120
GN 927-82-M6-35-A-*	82	M 6	35	20	20	25	-	1	19.5	22.5	3	3.7	-	120
GN 927-82-M6-40-A-*	82	M 6	40	20	20	25	-	1	19.5	22.5	3	3.7	-	120
GN 927-82-M6-50-A-*	82	M 6	50	20	20	25	-	1	19.5	22.5	3	3.7	-	120
GN 927-82-M6-60-A-*	82	M 6	60	20	20	25	-	1	19.5	22.5	3	3.7	-	120
GN 927-82-M8-20-A-*	82	M 8	20	20	20	25	-	1	19.5	22.5	3	3.7	-	123
GN 927-82-M8-25-A-*	82	M 8	25	20	20	25	-	1	19.5	22.5	3	3.7	-	122
GN 927-82-M8-30-A-*	82	M 8	30	20	20	25	-	1	19.5	22.5	3	3.7	-	124
GN 927-82-M8-35-A-*	82	M 8	35	20	20	25	-	1	19.5	22.5	3	3.7	-	125
GN 927-82-M8-40-A-*	82	M 8	40	20	20	25	-	1	19.5	22.5	3	3.7	-	125
GN 927-82-M8-50-A-*	82	M 8	50	20	20	25	-	1	19.5	22.5	3	3.7	-	129
GN 927-82-M8-60-A-*	82	M 8	60	20	20	25	-	1	19.5	22.5	3	3.7	-	134
GN 927-101-M8-25-A-*	101	M 8	25	25	26	30	-	1.5	25.3	29.3	4	4.8	-	227
GN 927-101-M8-30-A-*	101	M 8	30	25	26	30	-	1.5	25.3	29.3	4	4.8	-	227
GN 927-101-M8-35-A-*	101	M 8	35	25	26	30	-	1.5	25.3	29.3	4	4.8	-	228
GN 927-101-M8-40-A-*	101	M 8	40	25	26	30	-	1.5	25.3	29.3	4	4.8	-	232
GN 927-101-M8-50-A-*	101	M 8	50	25	26	30	-	1.5	25.3	29.3	4	4.8	-	233
GN 927-101-M8-60-A-*	101	M 8	60	25	26	30	-	1.5	25.3	29.3	4	4.8	-	237



3
Clamping levers



* Complete with colour index of the Clamping lever (B, O, R or S)

 B
 O
 R
 S
 RAL9005 RAL2004 RAL3000 RAL9006

GN 927-with threaded stud

Description	l1	d2	l2	b	d3	d4	d5	h	l3 min.	l3 max.	l4	l5	l6	△
GN 927-101-M10-20-A-*	101	M 10	20	25	26	30	-	1.5	25.3	29.3	4	4.8	-	230
GN 927-101-M10-25-A-*	101	M 10	25	25	26	30	-	1.5	25.3	29.3	4	4.8	-	231
GN 927-101-M10-30-A-*	101	M 10	30	25	26	30	-	1.5	25.3	29.3	4	4.8	-	233
GN 927-101-M10-35-A-*	101	M 10	35	25	26	30	-	1.5	25.3	29.3	4	4.8	-	237
GN 927-101-M10-40-A-*	101	M 10	40	25	26	30	-	1.5	25.3	29.3	4	4.8	-	238
GN 927-101-M10-50-A-*	101	M 10	50	25	26	30	-	1.5	25.3	29.3	4	4.8	-	245
GN 927-101-M10-60-A-*	101	M 10	60	25	26	30	-	1.5	25.3	29.3	4	4.8	-	250
GN 927-63-M5-16-B-*	63	M 5	16	16	16	-	18.5	0.75	-	-	-	3	16.3	56
GN 927-63-M5-20-B-*	63	M 5	20	16	16	-	18.5	0.75	-	-	-	3	16.3	55
GN 927-63-M5-25-B-*	63	M 5	25	16	16	-	18.5	0.75	-	-	-	3	16.3	56
GN 927-63-M5-30-B-*	63	M 5	30	16	16	-	18.5	0.75	-	-	-	3	16.3	56
GN 927-63-M5-35-B-*	63	M 5	35	16	16	-	18.5	0.75	-	-	-	3	16.3	56
GN 927-63-M5-40-B-*	63	M 5	40	16	16	-	18.5	0.75	-	-	-	3	16.3	56
GN 927-63-M5-50-B-*	63	M 5	50	16	16	-	18.5	0.75	-	-	-	3	16.3	56
GN 927-63-M6-16-B-*	63	M 6	16	16	16	-	18.5	0.75	-	-	-	3	16.3	56
GN 927-63-M6-20-B-*	63	M 6	20	16	16	-	18.5	0.75	-	-	-	3	16.3	56
GN 927-63-M6-25-B-*	63	M 6	25	16	16	-	18.5	0.75	-	-	-	3	16.3	56
GN 927-63-M6-30-B-*	63	M 6	30	16	16	-	18.5	0.75	-	-	-	3	16.3	60
GN 927-63-M6-35-B-*	63	M 6	35	16	16	-	18.5	0.75	-	-	-	3	16.3	60
GN 927-63-M6-40-B-*	63	M 6	40	16	16	-	18.5	0.75	-	-	-	3	16.3	60
GN 927-63-M6-50-B-*	63	M 6	50	16	16	-	18.5	0.75	-	-	-	3	16.3	60
GN 927-82-M6-20-B-*	82	M 6	20	20	20	-	22.5	1	-	-	-	3.7	19.5	122
GN 927-82-M6-25-B-*	82	M 6	25	20	20	-	22.5	1	-	-	-	3.7	19.5	122
GN 927-82-M6-30-B-*	82	M 6	30	20	20	-	22.5	1	-	-	-	3.7	19.5	122
GN 927-82-M6-35-B-*	82	M 6	35	20	20	-	22.5	1	-	-	-	3.7	19.5	122
GN 927-82-M6-40-B-*	82	M 6	40	20	20	-	22.5	1	-	-	-	3.7	19.5	122
GN 927-82-M6-50-B-*	82	M 6	50	20	20	-	22.5	1	-	-	-	3.7	19.5	122
GN 927-82-M6-60-B-*	82	M 6	60	20	20	-	22.5	1	-	-	-	3.7	19.5	122
GN 927-82-M8-20-B-*	82	M 8	20	20	20	-	22.5	1	-	-	-	3.7	19.5	122
GN 927-82-M8-25-B-*	82	M 8	25	20	20	-	22.5	1	-	-	-	3.7	19.5	100
GN 927-82-M8-30-B-*	82	M 8	30	20	20	-	22.5	1	-	-	-	3.7	19.5	107
GN 927-82-M8-35-B-*	82	M 8	35	20	20	-	22.5	1	-	-	-	3.7	19.5	108
GN 927-82-M8-40-B-*	82	M 8	40	20	20	-	22.5	1	-	-	-	3.7	19.5	110
GN 927-82-M8-50-B-*	82	M 8	50	20	20	-	22.5	1	-	-	-	3.7	19.5	120
GN 927-82-M8-60-B-*	82	M 8	60	20	20	-	22.5	1	-	-	-	3.7	19.5	120
GN 927-101-M8-20-B-*	101	M 8	20	25	26	-	27	1.5	-	-	-	4.8	25.3	200
GN 927-101-M8-25-B-*	101	M 8	25	25	26	-	27	1.5	-	-	-	4.8	25.3	202
GN 927-101-M8-30-B-*	101	M 8	30	25	26	-	27	1.5	-	-	-	4.8	25.3	204
GN 927-101-M8-35-B-*	101	M 8	35	25	26	-	27	1.5	-	-	-	4.8	25.3	204
GN 927-101-M8-40-B-*	101	M 8	40	25	26	-	27	1.5	-	-	-	4.8	25.3	208
GN 927-101-M8-50-B-*	101	M 8	50	25	26	-	27	1.5	-	-	-	4.8	25.3	210
GN 927-101-M8-60-B-*	101	M 8	60	25	26	-	27	1.5	-	-	-	4.8	25.3	213
GN 927-101-M10-20-B-*	101	M 10	20	25	26	-	27	1.5	-	-	-	4.8	25.3	205
GN 927-101-M10-25-B-*	101	M 10	25	25	26	-	27	1.5	-	-	-	4.8	25.3	207
GN 927-101-M10-30-B-*	101	M 10	30	25	26	-	27	1.5	-	-	-	4.8	25.3	209
GN 927-101-M10-35-B-*	101	M 10	35	25	26	-	27	1.5	-	-	-	4.8	25.3	212
GN 927-101-M10-40-B-*	101	M 10	40	25	26	-	27	1.5	-	-	-	4.8	25.3	215
GN 927-101-M10-50-B-*	101	M 10	50	25	26	-	27	1.5	-	-	-	4.8	25.3	219
GN 927-101-M10-60-B-*	101	M 10	60	25	26	-	27	1.5	-	-	-	4.8	25.3	224